

## APPENDIX N: Lite Cutout Specifications for Lead Doors

### Non-Rated: Particleboard or Structural Composite Lumber Core Lead Doors

- 105M-L2 Single Glazed Metal Vision Frame (1/32" and 1/16" lead equivalent)  
LAMINATED DURA SHIELD GLASS 1/2 Inch - CAT II SAFETY RATED

- 115-L3 Single Glazed Metal Vision Frame (1/8" lead equivalent)  
\*Staggered Screw holes  
LAMINATED DURA SHIELD GLASS 3/4 Inch - CAT II SAFETY RATED

**Maximum Visible Glass:** 34" Wide x 54" Long    **Max Area Visible Glass:** 1296 in<sup>2</sup>

Must maintain minimum distance of 5" from edge of door to edge of cutout for warranty.

Must maintain minimum distance of 3 1/4" from edge of cutout to adjacent hardware cutouts. LL Particleboard Core

Must maintain minimum distance of 1 1/4" from edge of cutout to adjacent hardware cutouts. LL Structural Composite Lumber Core

### 20 Minute: Particleboard or Structural Composite Lumber Core Lead Doors

- 115-L1 Dual Glazed Metal Vision Frame (1/32" and 1/16" lead equivalent)  
LAMINATED DURA SHIELD GLASS 1/2 Inch - CAT II SAFETY RATED

- 115-L1 Dual Glazed Metal Vision Frame (1/8" lead equivalent)  
LAMINATED DURA SHIELD GLASS 3/4 Inch - CAT II SAFETY RATED

UL Listed 20, 45, and 60 Minutes when seated pane is listed glazing material and the outer pane is Leaded Glass

**Maximum Visible Glass:** 33" Wide x 33" Long (Minimum 3" Wide)    **Max Area Visible Glass:** 1096 in<sup>2</sup>

**Available Fire Rated Glass:** Firelite NT Glass 3/16 inch Clear Premium or Clear Standard, Keralite FR-F 3/16 inch, Firelite Plus Glass 5/16 inch Clear Premium Polished, Pyroswiss Glass - 1/4 inch, Safti SuperLite 1-W Diamond or Baroque Wire Glass 5/16 inch, Diamond or Square Wirelite NT Glass - 1/4 inch, FireGlass 20 - 1/4 inch

Must maintain minimum distance of 5 1/2" from edge of door to edge of cutout for warranty. PBD

Must maintain minimum distance of 5" from edge of door to edge of cutout for warranty. SCL

Must maintain minimum distance of 3 1/4" from edge of cutout to adjacent hardware cutouts. LL Particleboard Core

Must maintain minimum distance of 1 1/4" from edge of cutout to adjacent hardware cutouts. LL Structural Composite Lumber Core

### 45 Minute: Mineral Core Lead Doors

- 115-L1 Dual Glazed Metal Vision Frame (1/32" and 1/16" lead equivalent)  
LAMINATED DURA SHIELD GLASS 1/2 Inch - CAT II SAFETY RATED

- 115-L1 Dual Glazed Metal Vision Frame (1/8" lead equivalent)  
LAMINATED DURA SHIELD GLASS 3/4 Inch - CAT II SAFETY RATED

UL Listed 20, 45, and 60 Minutes when seated pane is listed glazing material and the outer pane is Leaded Glass

**Maximum Visible Glass:** 33" Wide x 33" Long (Minimum 3" Wide)    **Max Area Visible Glass:** 1096 in<sup>2</sup>

**Available Fire Rated Glass:** Firelite NT Glass 3/16 inch Clear Premium or Clear Standard, Keralite FR-F 3/16 inch, Firelite Plus Glass 5/16 inch Clear Premium Polished, Safti SuperLite 1-W Diamond or Baroque Wire Glass 5/16 inch, Diamond or Square Wirelite NT Glass - 1/4 inch

Must maintain minimum distance of 5 1/2" from edge of door to edge of cutout for Label

Must maintain minimum distance of 3 1/4" from edge of cutout to adjacent hardware cutouts.

Note: Mohawk Flush Doors® are manufactured per the standards listed on this page.

Specifications are subject to change without notice.

Fire-Rated doors will be constructed per label service listing and may deviate from above.

## APPENDIX N: Lite Cutout Specifications for Lead Doors

### 60 Minute: Mineral Core Lead Doors

- 115-L1 Dual Glazed Metal Vision Frame (1/32" and 1/16" lead equivalent)  
LAMINATED DURA SHIELD GLASS 1/2 Inch - CAT II SAFETY RATED
- 115-L1 Dual Glazed Metal Vision Frame (1/8" lead equivalent)  
LAMINATED DURA SHIELD GLASS 3/4 Inch - CAT II SAFETY RATED

UL Listed 20, 45, and 60 Minutes when seated pane is listed glazing material and the outer pane is Leaded Glass

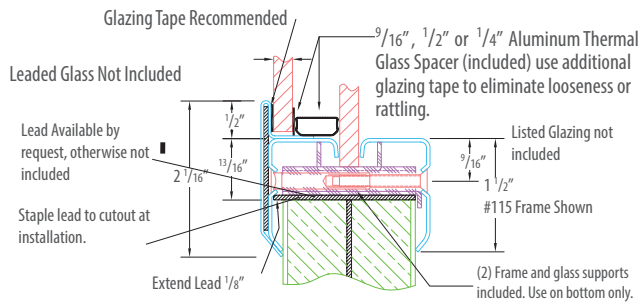
**Maximum Visible Glass:** 12" Wide or 33" Long (Minimum 3" Wide) **Max Area Visible Glass:** 100 in<sup>2</sup>

**Available Fire Rated Glass:** Firelite NT Glass 3/16 inch Clear Premium or Clear Standard, Keralite FR-F 3/16 inch, Firelite Plus Glass 5/16 inch Clear Premium Polished, Safti SuperLite 1-W Diamond or Baroque Wire Glass 5/16 inch, Diamond or Square Wirelite NT Glass - 1/4 inch

Must maintain minimum distance of 5 1/2" from edge of door to edge of cutout for Label

Must maintain minimum distance of 3 1/4" from edge of cutout to adjacent hardware cutouts.

## Frames for Lead Lined Doors



**STYLE #115-L1 for doors leaded under the skins or down the center (PATENT NO. 4,550,542)**

**MINIMUM WIDTH = 2 1/2"**  
**MAXIMUM WIDTH OR HEIGHT = 33"**

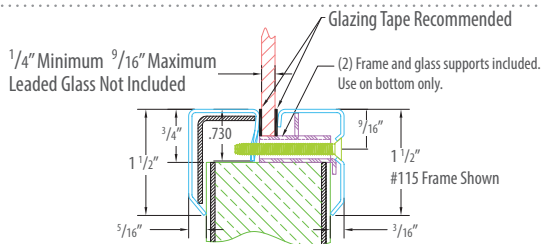
**ORDER INFORMATION:**

Order size = Visible Dimensions of Center Pane, (W+H)

Glass size = Center Pane Order size + 3/4" | Outer Pane(s) Order size - 3/16"

Cutout size = Order size + 1 5/8"

UL Listed 20, 45, and 60 Minutes when seated pane is listed glazing material and the outer pane is Leaded Glass



**STYLE #115-L2 or #105M-L2 for doors leaded under the skins (PATENT NO. 4,550,542)**

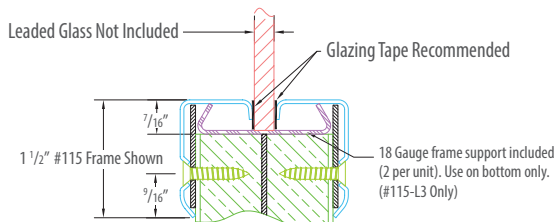
**ORDER INFORMATION:**

Order size = Visible Dimensions (W+H)

Glass size = Order size + 3/4"

Cutout size = Order size + 1 5/8"

**No Fire Rating**



**STYLE #115-L3 OR #105-L3 for doors leaded down the center (PATENT NO. 4,550,542)**

**ORDER INFORMATION:**

Order size = Visible Dimensions (W+H)

Glass size = Order size + 3/4"

Cutout size = Order size + 7/8"

**No Fire Rating**

Note: Mohawk Flush Doors® are manufactured per the standards listed on this page.

Specifications are subject to change without notice.

Fire-Rated doors will be constructed per label service listing and may deviate from above.