

MDF DOOR

Neutral Pressure, Positive Pressure, Environmental

Product Features and Specifications Interior use only

Thickness 1-3/4", 1-3/8"

Maximum Size

	ITS-WH and UL- Max 20 minute (Fire-Ratings Available on 1-3/4 Doors Only)				
	Non Rated	20 min. (Cat. A & PP)	45 min. (Cat. A & NP)	60 min. (Cat A & NP)	90 min. (Cat. A & NP)
Single	4/0x8/0	4/0x8/0	4/0x8/0	4/0x8/0	4/0x8/0
Pair	8/0x8/0	8/0x8/0	7/0x8/0	7/0x8/0	N/A
DE Pair	8/0x8/0	N/A	N/A	N/A	N/A

Minimum Size 0/11-3/4x5/0

Core •Non-rated and 20 minute: Medium Density Fiberboard
•45, 60, and 90 Minute: Fire Resistant Composite

Lite Openings

20 Minute:

- Max cut-out size allowed: 1296 sq in •Max width of opening: 30" •Max length of opening: 54"
- *Multiple lite openings allowed as long as the combined sum of the area does not exceed the above.
- *20 minute doors furnished with standard WVF-7 light trim upon request.

45 Minute:

- Max cut-out size allowed: 1248 sq in •Max width of opening: 26" •Max length of opening: 48"
- *Multiple lite openings allowed as long as the combined sum of the area does not exceed the above.
- *Manufacturers standard #110 Metal Vision Frame available upon request.
- *If factory glazed, fire-rated ceramic glass with a minimum 3/16" thickness is required.

60 & 90 Minute:

- Max cut-out size allowed: 100 sq in
- *Manufacturers standard #110 Metal Vision Frame available upon request.
- *If factory glazed, fire-rated ceramic glass with a minimum 3/16" thickness is required.

Other Detail Work

- Glazing
- Machining
- Louvers - Open, False, Curved

Factory Finish

- Prime (Standard offering)
- Opaque (Upon request)

Warranty

Lifetime, No exterior warranty

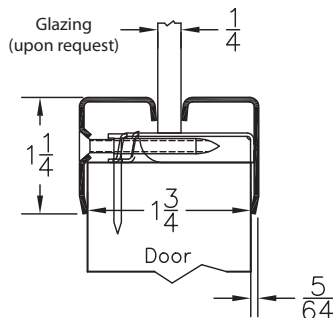
Environmental Options & LEED Credit Contribution (Not all credits may be available with some constructions)

- MR 4-Recycled Content- Non-Rated and 20 minute only
- MR 5-Regional Materials- Non-Rated and 20 minute only (Subject to project location)
- CARB Phase II Compliant

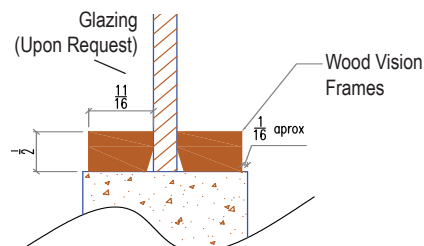
Quality Standards (Quality Assurance/ Industry Standards)

WDMA Performance Duty Level: Extra Heavy Duty
*Product does not require blocking for surface hardware

#110 Metal Vision Frames



WVF 7 Wood Lite Kit



Note: Mohawk doors are manufactured per the standards listed on this page. Specifications are subject to change without notice.

*Note: Fire-Rated doors will be constructed per label service listing and may deviate from above.